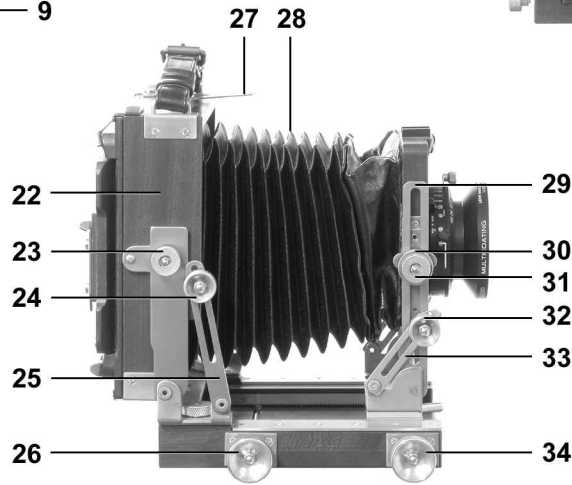
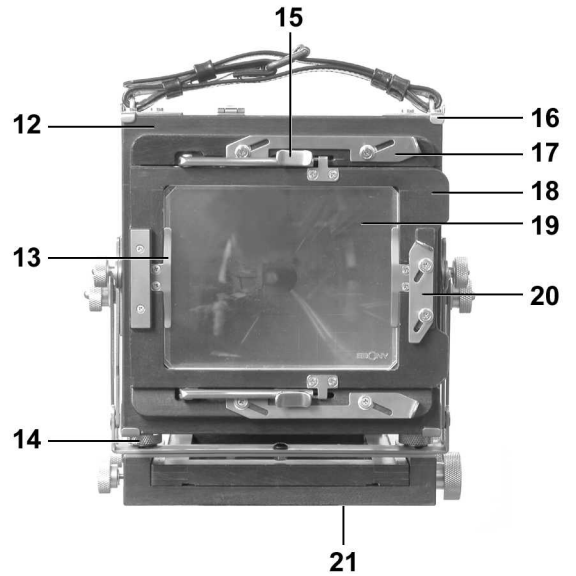
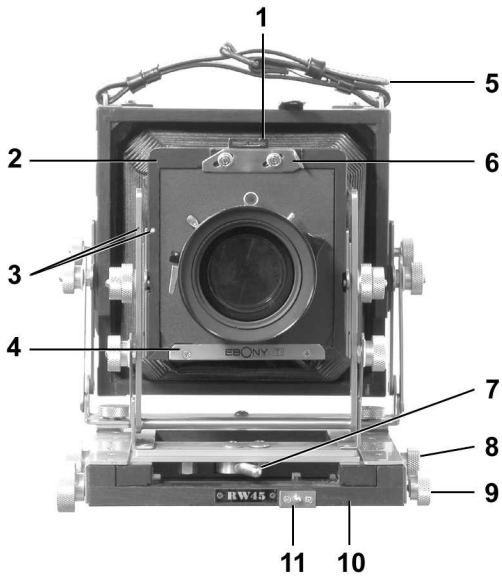


RW45

USER'S GUIDE



PART NAMES

1 Accessory shoe	17 Sliding latch for roll film holder
2 Front standard	18 Focusing frame
3 Alignment points indicating front rise/fall zero position	19 Focusing screen
4 Lensboard slot	20 Sliding latch for focusing hood
5 Hand strap	21 Tripod mounting plate
6 Sliding latch for lensboard	22 Rear standard
7 Front swing locking lever (shown in locked position)	23 Rear center tilts knob
8 Focus lock knob	24 Rear base tilts knob
9 Focus lock knob	25 Rear base tilts arm
10 Camera bed	26 Focusing knob
11 Latch pin	27 Latch to secure folded camera
12 Film holder back	28 Bellows
13 Spring tab for focusing screen	29 Front rise/fall arm
14 Rear swing lock knob (one on each side)	30 Front rise/fall knob
15 Focusing frame release lever	31 Front center tilts knob
16 Release latch for film holder back	32 Front base tilts knob
	33 Front base tilts arm
	34 Focusing knob

HOW TO ADJUST THE MOVEMENTS:

(In all cases adjustments refer to both the knob indicated and the corresponding knob on the other side of the camera)

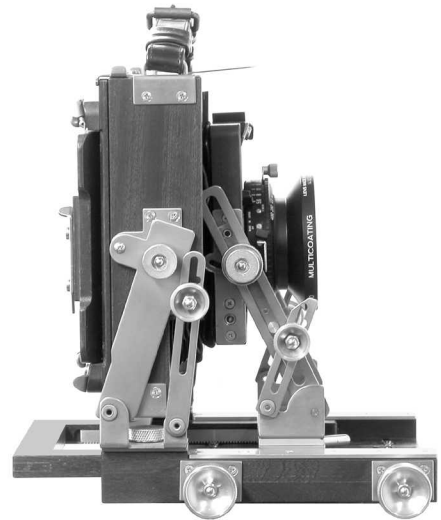
- (a) Front Rise/Fall
Loosen knob 30, and while holding it raise or lower front standard.
- (b) Center Tilts
Front: Loosen knob 31, and holding lower part of front standard, push forward or pull back.
Rear: Loosen knob 23, and holding lower part of rear standard, push forward or pull back.
- (c) Base Tilts
Front: Loosen knob 32, then release from notch in front base tilts arm (33).
Rear: Loosen knob 24, then release from notch in rear base tilts arm (25).
- (d) Swings
Front: Unlock front locking lever (7), then swing front standard
Rear: Unlock rear lock knobs (14), then swing rear standard

Points to remember:

- 1) After making each adjustment, be sure to retighten the knobs or lever. If two pairs of knobs are loose at the same time, particularly 23 and 24, the camera becomes difficult to handle.
 - 2) Loosen lock knob 9 before using focusing knob 34, and lock knob 8 before using focusing knob 26. Tighten again afterwards.
- To install/remove focusing frame (18), pull focusing frame release lever (15).



For maximum extension use base and center tilts at front and back.



Wide-angle lenses may be used without bed drop.
(Wide-angle configuration, using base tilts and center tilts as depicted above, required for 90mm lenses or shorter)

OPENING AND CLOSING RW45 CAMERAS

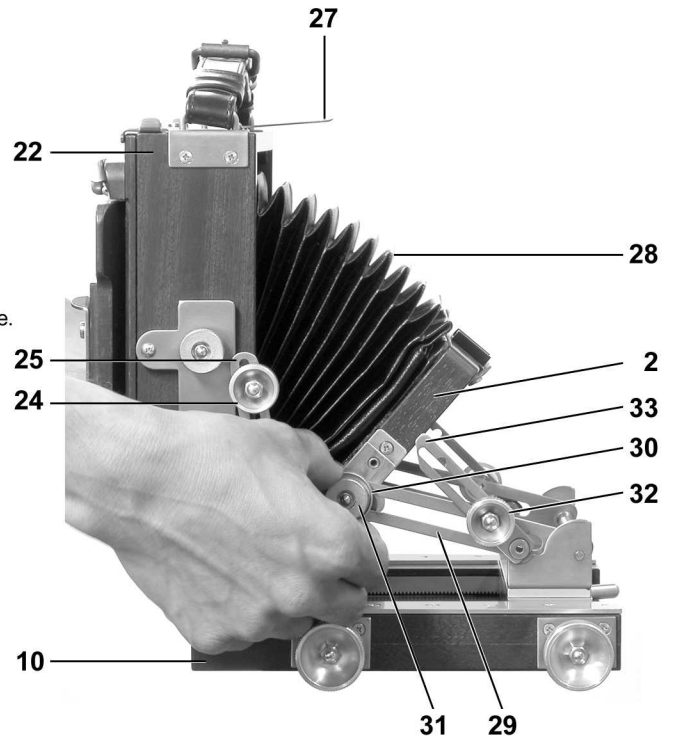
Please follow these instructions to avoid damaging the bellows.
The procedure is easier if the camera is placed on a tripod.

To open:

- 1) Lock both rear swing lock knobs (14)
- 2) Squeeze camera and release latch (27) from pin.
- 3) Pull up rear standard (22) until vertical. Rear base tilts knobs (24) should enter notches in rear base tilts arms (25). Tighten rear base tilts knobs (24).
- 4) Pull up front standard (2) with front rise/fall knobs (30) until it reaches maximum rise.
- 5) Lower front standard (2) until point on right front rise/fall arm (29) and point on right of front standard are aligned (rise/fall zero position).
- 6) Tighten front rise/fall knobs (30). Front base tilts knobs (32) should enter notches in front base tilts arms (33). Tighten front base tilts knobs (32).

To close:

- 1) Ensure that all movements are returned to zero position, and front center tilts knobs (31) are tightened.
- 2) Loosen front base tilts knobs (32), then front rise/fall knobs (30).
- 3) Pull front standard (2) up to maximum rise with front rise/fall knobs (30).
- 4) Pull front standard (2) backwards using front rise/fall knobs (30). While doing this ensure that front standard remains at maximum rise. It will tilt towards the camera bed (10) as it compresses the bellows (28).
- 5) Push front standard (2) down until it almost touches camera bed (10). Front base tilts arms (33) should rest comfortably between front rise/fall arms (29) and front rise/fall knobs (30).
- 6) Loosen rear base tilts knobs (24). Free them from notches in rear base tilts arms (25). Push camera body down into closed position.
- 7) Squeeze camera shut and secure latch (27) to pin.



EBONY CO. LTD.
Shin Oyama Building, 1st Fl.,
38-12 Oyama Kanai-cho,
Itabashi-ku, Tokyo 173-0024, Japan
Tel No. (03) 3972-3170
Fax No. (03) 5995-3738